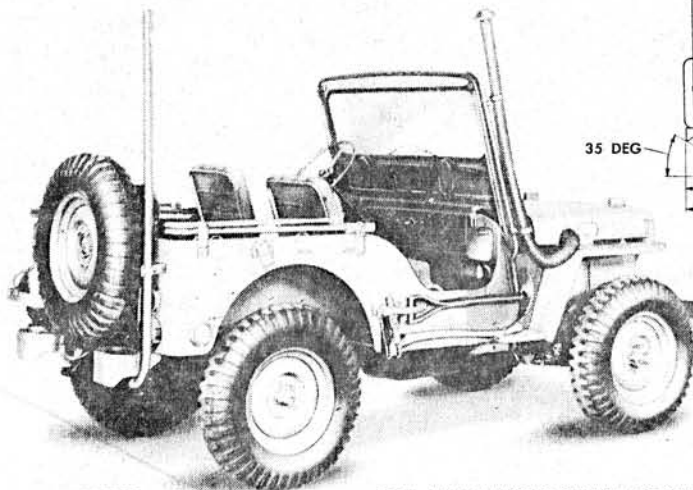


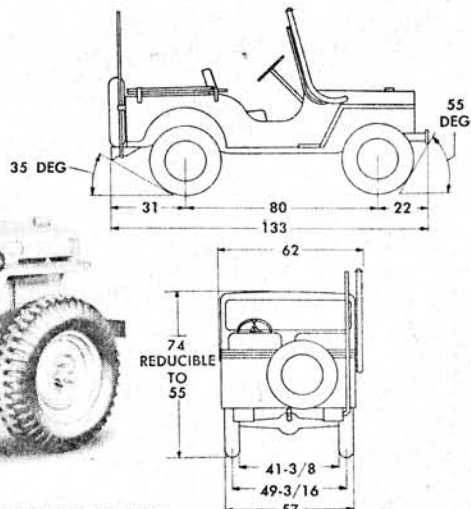
# TRUCK, UTILITY, 1/4-TON, 4 x 4, M38

(Willys)



RA PD 137783

NOTE: ALL DIMENSIONS SHOWN ARE IN INCHES



Technical Manuals: 9-804, 9-1804A, 9-1804B, 9-1825B, 9-1826A, 9-1827C, 9-1828A; Supply Catalog: SNL G-740.

**Classification:** Standard.

**Purpose:** To transport command and reconnaissance personnel and light cargo.

## GENERAL DATA

<b>Crew</b> .....	2; Passengers (including crew) 4
<b>Weight (lb):</b>	
Net.....	2,625
Payload.....	off highway 800; on highway 1,200
Gross.....	off highway 3,425; on highway 3,825
<b>Live-axle gear ratio</b> .....	5.38:1
<b>Axle load (lb):</b>	
Empty.....	front 1,363; rear 1,262
Loaded:	
Off highway.....	front 1,475; rear 1,950
On highway.....	front 1,475; rear 2,350
<b>Tires:</b>	
Ply 6; Size 7.00 x 16; Pressure (psi):	
Highway.....	28
Off highway.....	22
Mud, sand, or snow.....	15
Tread, center-to-center, front.....	(in.) 49 1/4
<b>Shipping dimensions, uncrated</b> .....	(cu ft) 266; (sq ft) 57
<b>Vehicle dimensions:</b>	
Ground clearance.....	(in.) 9 1/4
Pintle height, empty.....	(in.) 21 1/2
<b>Electrical system</b> .....	(volts) 24
No. of batteries.....	(12-volt) 2
Type of ground.....	negative
<b>Fuel octane rating</b> .....	68
<b>Capacities:</b>	
Fuel.....	(gal) 13
Cooling system.....	(qt) 11 1/2
Crankcase, refill.....	(qt) 4
Transmission.....	(qt) 1 1/2
Transfer.....	(qt) 2
Axles (qt).....	front 1 1/4; rear 1 3/8
Winch.....	Oil capacity (qt) 1/2; load capacity (lb) 3,500
<b>Brakes:</b>	
Manufacturer; Bendix.....	Type: hydraulic
Parking brake, type.....	transmission
<b>Transmission:</b>	
Forward speeds.....	3
Gear ratio.....	High 1:1; Low 2.80:1
<b>Transfer:</b>	
Speeds.....	2
Gear ratio.....	High 1:1; Low 2.43:1

## PERFORMANCE

<b>Computed grade ability in lowest gear, loaded</b> .....	(percent) 65
<b>Turning radius (ft)</b> .....	right 20; (left) 19
<b>Fording depth</b> .....	(in.) 70
<b>Fuel consumption, loaded</b> .....	(mpg) 17
<b>Cruising range, loaded</b> .....	(mi) 220
<b>Allowable speed, recommended</b> .....	(mph) 60
<b>Maximum recommended towed load:</b>	
Off highway, gross.....	(lb) 1,500
On highway, gross.....	(lb) 2,000

## ENGINE

<b>Manufacturer:</b> Willys.....	Model MC
<b>Type</b> .....	L-head, 4-cycle; No. of cylinders (in line) 4
<b>Displacement</b> .....	(cu in.) 134.2
<b>Bore</b> .....	(in.) 3 1/8
<b>Stroke</b> .....	(in.) 4 3/8
<b>Compression ratio</b> .....	6.48:1
<b>Governed speed</b> .....	not governed
<b>Brake horsepower (max w/std accessories)</b> .....	51 at (rpm) 4,000
<b>Torque (max)</b> .....	97 lb-ft at (rpm) 2,000

## ADDITIONAL DATA

<b>Live axles, type</b> .....	hypoid, front full-floating; rear semi-floating
<b>Transmission, type</b> .....	synchromesh
Weights and axle loads are given for vehicle w/o winch. For vehicle w/winch, they are as follows:	
<b>Weight (lb):</b>	
Net.....	2,750
Payload.....	off highway 800; on highway 1,200
Gross.....	off highway 3,550; on highway 3,950
<b>Axle load (lb):</b>	
Empty.....	front 1,482; rear 1,268
Loaded:	
Off highway.....	front 1,595; rear 1,955
On highway.....	front 1,595; rear 2,355