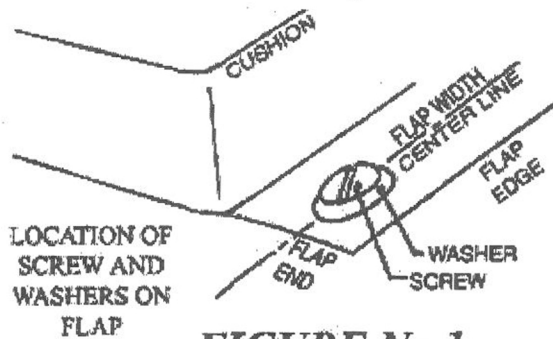
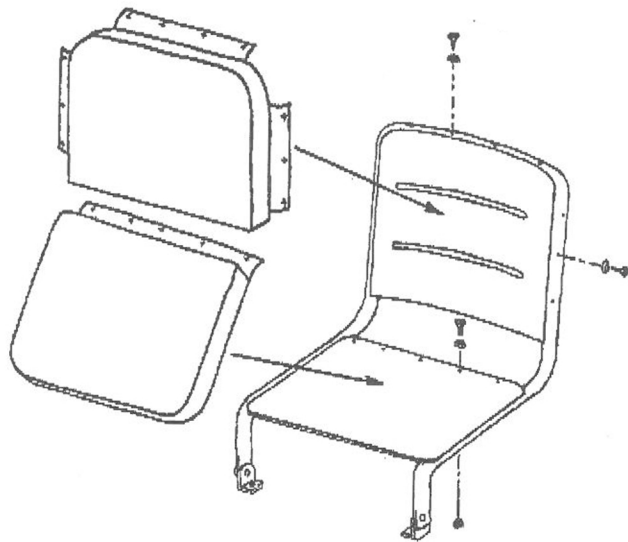
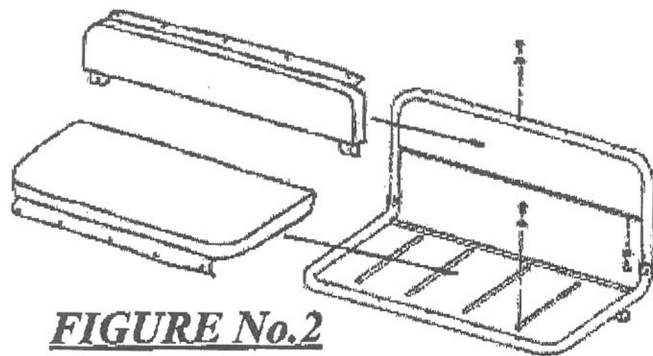


# Seat Frame Diagram for Installation of Seat Covers and Cushions

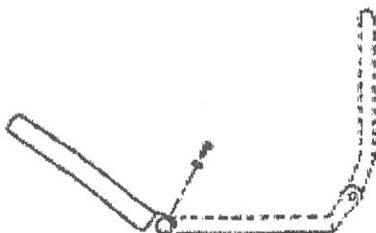
**Questions?**  
 Call us Toll Free at:  
**1-888-648-4923**  
 (Mon-Fri, 9AM-5PM, EST)  
 or email Mike Meditz at:  
**mike@kaiserwillys.com**



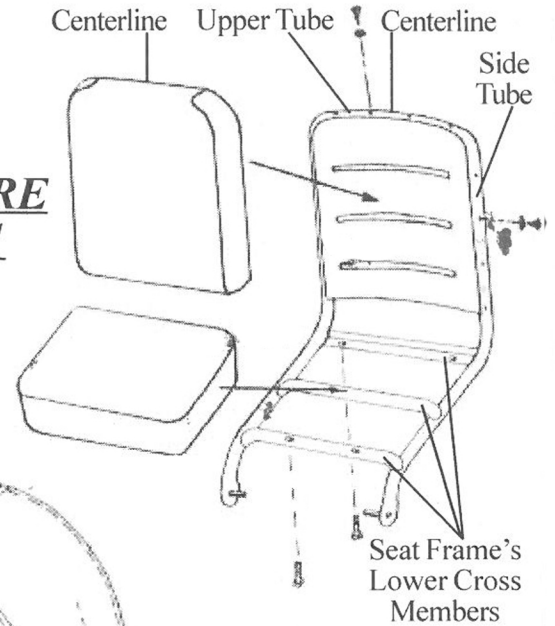
**FIGURE No.1**



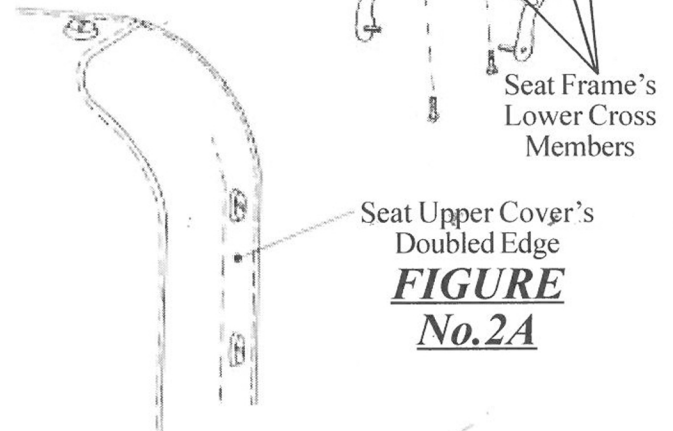
**FIGURE No.2**



**FIGURE No.3**

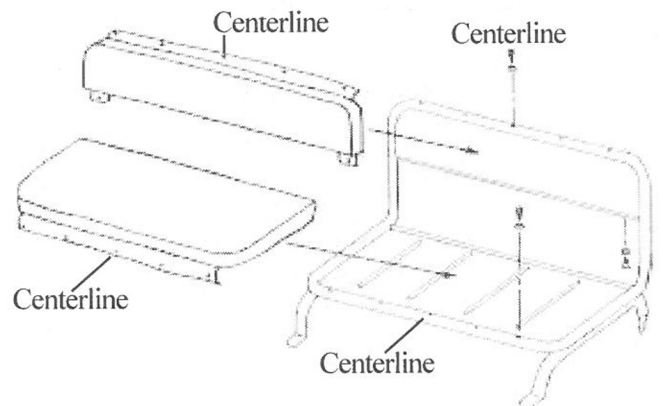
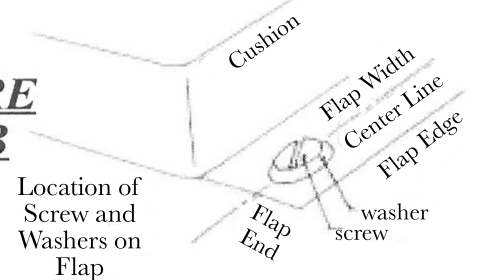


**FIGURE No.1**



**FIGURE No.2A**

**FIGURE No.2B**



**FIGURE No.3**

