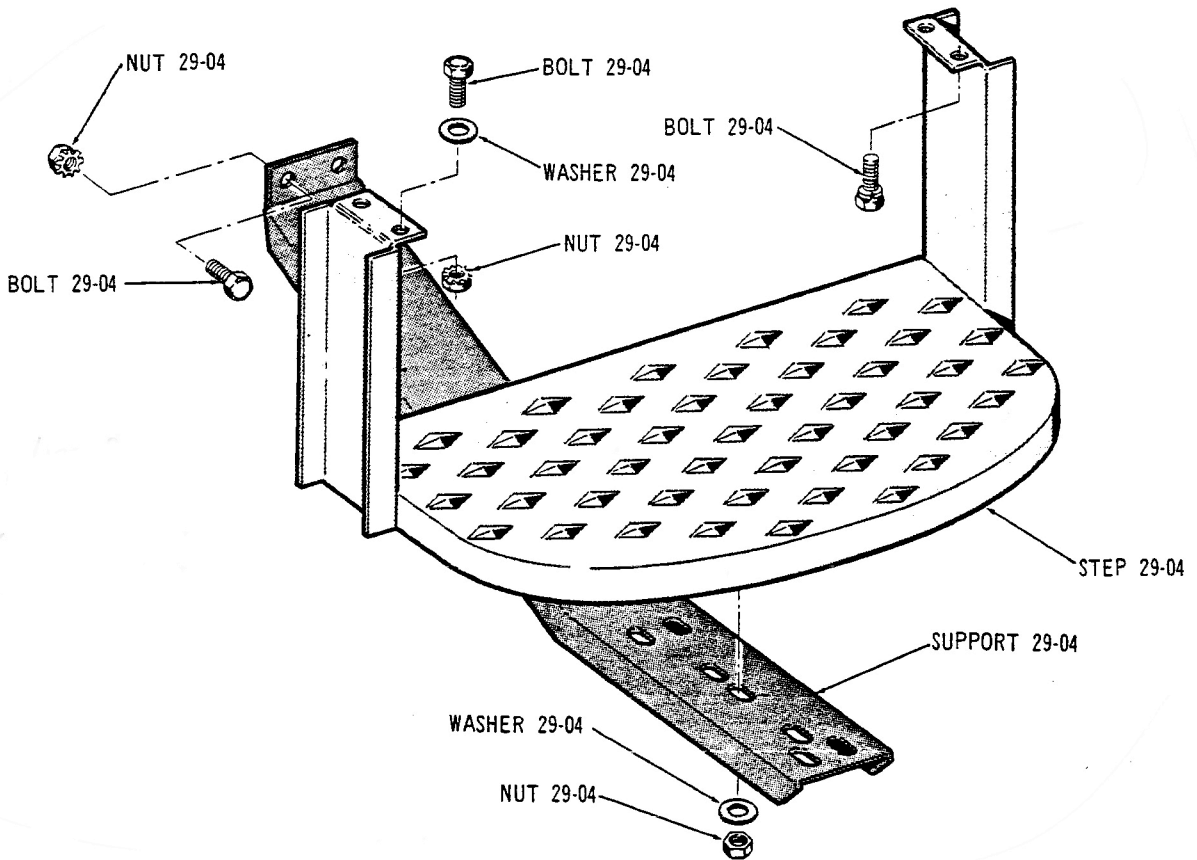


# 646150K - Diagram & Installation



**BODY STEP**